



BAMBINO TWISTER

SERIES: PAVESI ROTATING BRICK OVENS

JOB NAME: _____

REFERENCE INVOICE #: _____



Red-Colored Bambino Twister

REFRACTORY MONOBLOCK FLOOR

The Pavesi Bambino Twister features the world's only refractory commercial brick oven floor in one solid block.

TRADITION & TECHNOLOGY

The Pavesi Bambino Twister is designed to preserve traditional Italian hearth oven dynamics with maximum consistency for high output.

VERSATILE & RELIABLE

The Pavesi Bambino Twister design exceeds at holding a wide variety of temperatures to achieve almost any pizza size and style.

SIZE

The Pavesi Bambino Twister is perfect for restaurants where food will be served behind the bar, or even your home.

FEATURES

Designed to provide a uniquely compact yet professional revolving oven, the Bambino Twister opens new frontiers for the pizza chef.

Easily positioned in a small garden or terrace thanks to its mobile stand, or as a second oven for the separate production of gluten-free pizzas, the revolving deck Bambino TW Gas oven offers effortless cooking without the need to constantly check and turn the product, freeing up time and allowing the chef to devote more time to the preparation of pizzas!

With its 24.5" diameter rotating plate, its small size (approx 31.5" width) and high-performance materials, the professional Bambino TW Gas oven can reach temperatures exceeding 750°F, and in addition to pizzas, can bake artisan bread and succulent roasts or stews. Custom facade options can be found online at www.forzaforni.com.

GENERAL SPECIFICATIONS

OVEN FLOOR DIAMETER	Ø 24.5"
WEIGHT	550 lb
EXTERNAL DIMENSIONS (W x D x H)	31.5" x 40.25" x 70.5"
CLEARANCE TO COMBUSTIBLE	TOP: 14" SIDES: 1"
OVEN OPENING DIMENSIONS	19.5" X 7.9"
CHIMNEY FLUE MANIFOLD DIAMETER	Ø 6.25"
12" PIZZA CAPACITY	1 - 2 PIZZAS

GAS REQUIREMENTS

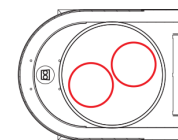
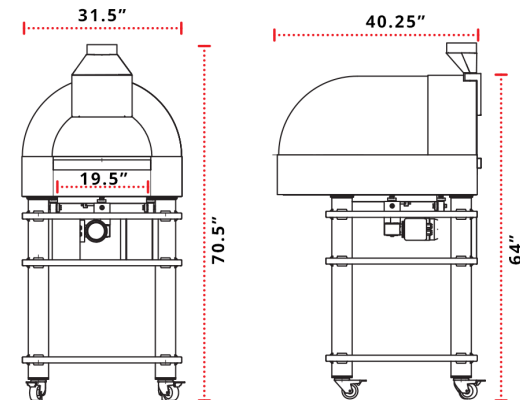
This equipment may be used with LP gas or natural gas.

CONNECTION SIZE:	3/4" Male threaded			
	LP GAS		NATURAL GAS	
GAS PRESSURE:	11-13 in H ₂ O		3.5 in H ₂ O	
MIN - MAX HOURLY BTU INPUT RATING:	19,800 Btu/Hr	51,550 Btu/Hr	19,800 Btu/Hr	51,550 Btu/Hr

PRICING

FOB 10509, NY

BAMBINO TWISTER	CONTACT FOR PRICING
-----------------	---------------------



FITS TWO 12" PIZZAS



ELECTRICAL REQUIREMENTS

Gas Burner

■ No Electrical Connection Needed

Rotation Motor

■ 120 VAC, 7 A, 60 Hz

FORZA FORNI
601 N Main St, Brewster, NY 10509
Email: info@forzaforni.com
www.forzaforni.com

844-OVEN-INC (844-683-6462)
Toll-free in USA
(Hablamos Español,
Falamos Português)

Listed to: UL 2162-ULC/ORD C2162,
ANSI Z83.11-CSA 1.8, & NSF-4 for
Commercial Gas Fired Cooking
Equipment



DOC#: BAMBINOTWISTER-1218

REVISED FALL 2018. As products continue to improve, spec sheets may change without notice. Please call Forza Forni for the latest specification sheet and for further details.

MADE IN ITALY